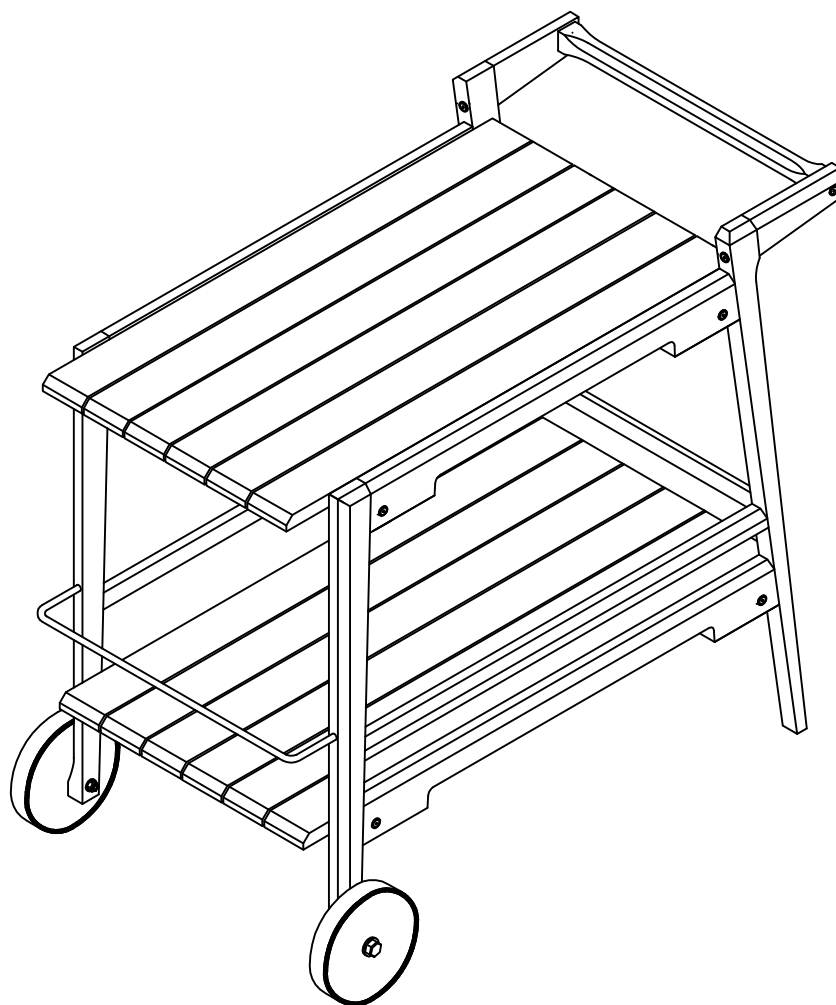


ASSEMBLY INSTRUCTIONS

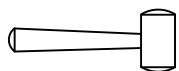
BUOT0329 BAR TROLLEY



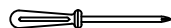
REPLACEMENT PARTS

Please do not contact the company purchased from as we can help you faster.
Order replacement parts and hardware at “www.boltonfurniture.com”

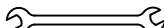
Tools Required (Not Included)



Rubber Hammer



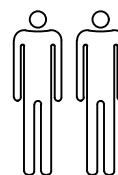
Phillips Screwdriver



Wrench

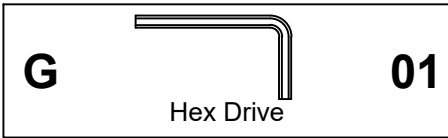
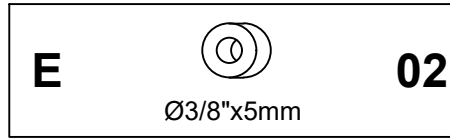
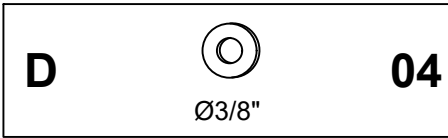
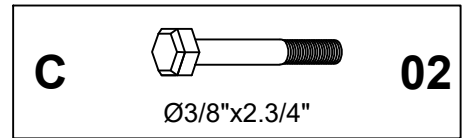
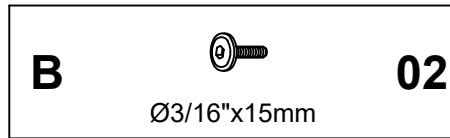
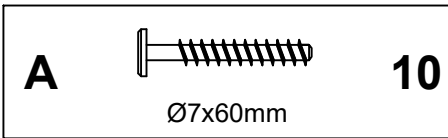


Cordless Drive (*)

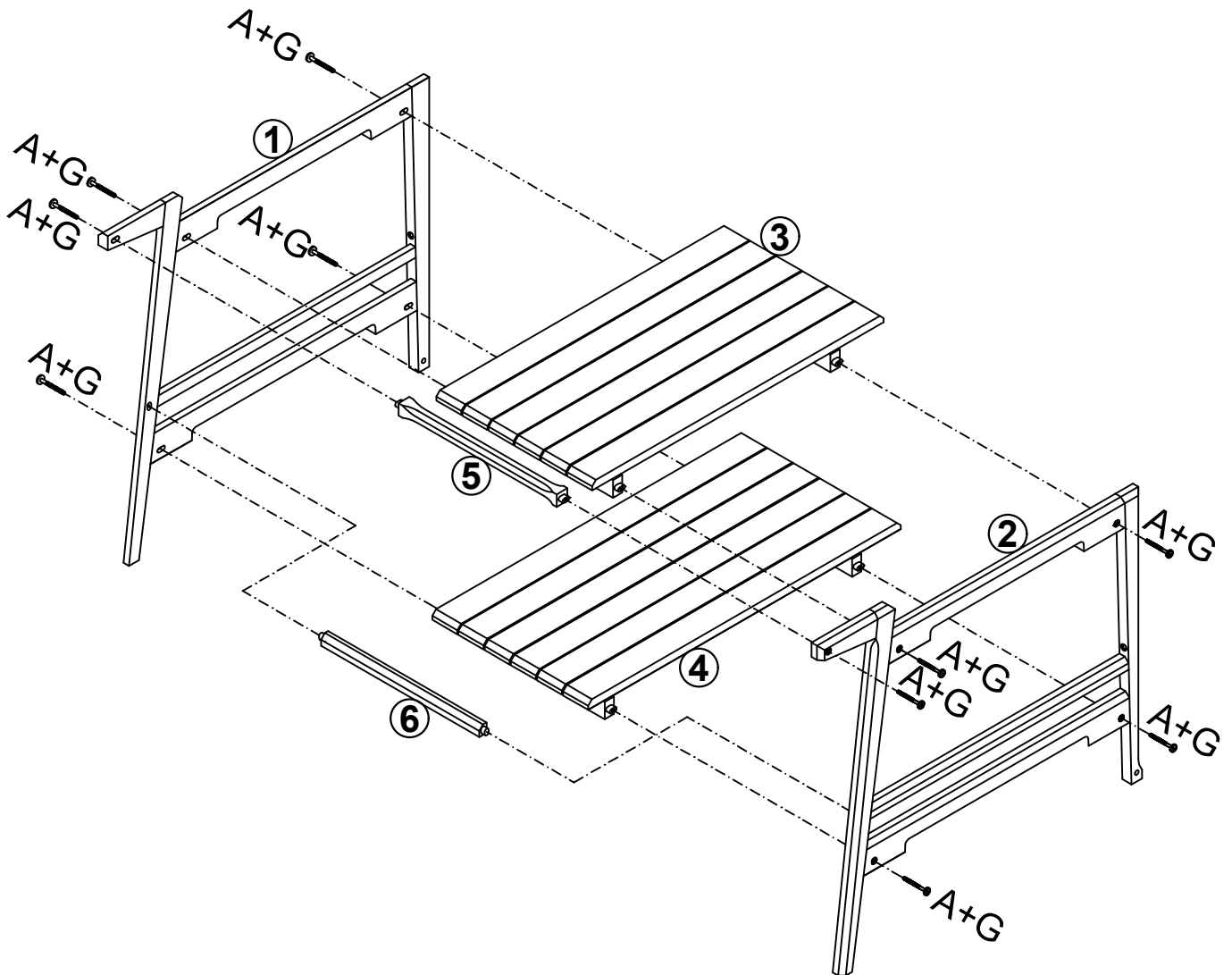
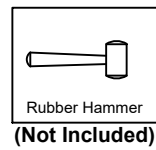
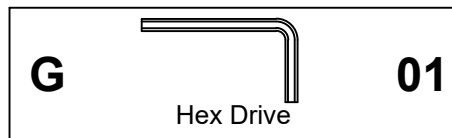
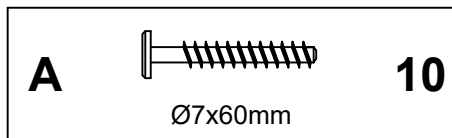


(*) NOTE: Optional - use in place of hex drive.

Identifying the Hardware-Identify the hardware using the illustrations below.



01



02

B



Ø3/16"x15mm

02

G

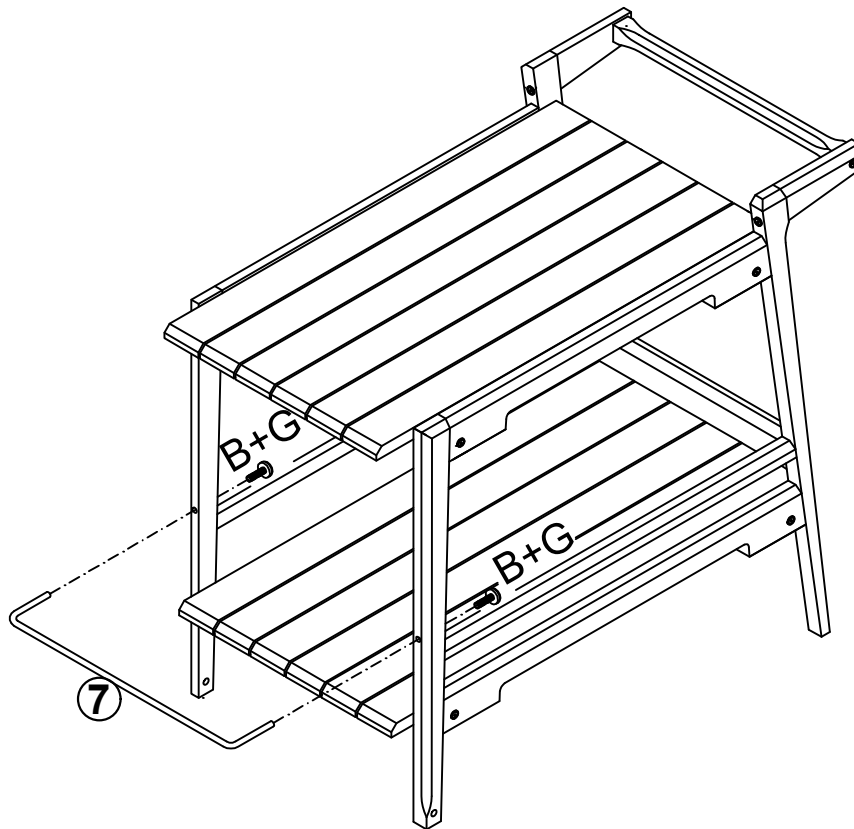


Hex Drive

01

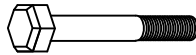


Rubber Hammer
(Not Included)



03

C



Ø3/8"x2.3/4"

02

D



Ø3/8"

04



Wrench
(Not Included)

E



Ø3/8"x5mm

02

F



Ø3/8"

02

2x

